

YANO STOPPER

• Water Pipeline Stopper Installed under pressure

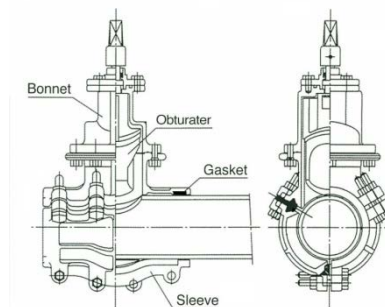
Features

- The YANO STOPPER can be installed at any part on the pipeline under pressure.
- The YANO STOPPER is installed in its full open state, and can be closed at any time.

Overview (Technical principles, actions, etc.)

- The YANO STOPPER consists of a sleeve, a rubber faced obturator and a bonnet which stores a spindle for vertically moving the obturator.

The obturator is inserted into a cut hole made in the pipe by under pressure drilling.

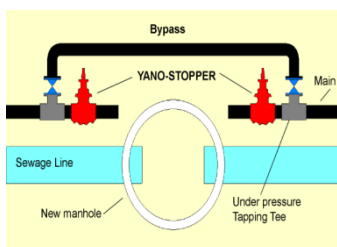


Installation Examples

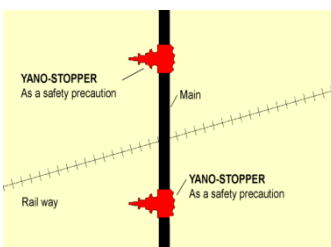
- Ever since its first installation in 1973, a number of job reference exceeds 165,000 installations.
- This includes France, United Kingdom, Germany, U.S.A, Iraq, Russia, Egypt, Singapore.

Effects

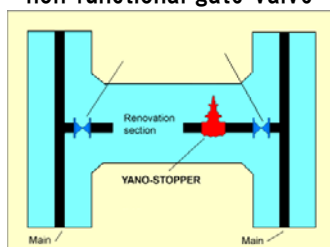
Bypassing under pressure



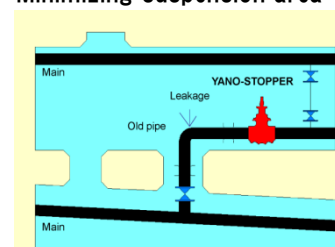
As a safety precaution



Substitute for non-functional gate valve



Minimizing suspension area



Inquiries

TAISEI KIKO CO.,LTD.

OPERATIONS DEPARTMENT

<http://www.taiseikiko.com>

E-mail operations-dep@taiseikiko.com

1-1-3-1900 Umeda Kita-ku Osaka, Japan

TEL +81-6-6344-7784 FAX +81-6-6344-7941